





## Technical Data for BK1404 and BK1604

Feb. 25. 2014

DESCREPTION	UNITS	BK 1404	BK 1604
Lifting Capacity	ton-meter	40.0	45.0
Lifting Capacity / Outreach	kg/m	14000 / 2.0	16000 / 2.0
		6800 / 5.2	7310 / 5.2
		4150 / 8.0	4860 / 8.0
		2560 / 12.0	3030 / 12.0
		1540 / 16.2	1850 / 16.2
Working Radius	m	16.2	16.2
Max.Working Height	m	19.0	19.0
Rated Oil Flow,Recommended	cc/rev	88 / 88	88 / 88
Working Pressure	kg/cm <sup>2</sup>	190 / 200	215 / 200
Oil Tank Capacity	ℓ	200	200
Shape Of Boom		Hexagonal box construction, 4 sections	Hexagonal box construction, 4 sections
Boom Length	m	Min. 5.55 ~ Max. 16.5	Min. 5.55 ~ Max. 16.5
Boom Extending Speed	m/sec	10.95 / 35	10.95 / 35
Boom Raising Speed	°/sec	0 ~ 80 / 25	0 ~ 80 / 25
Slewing Angle	°	360° continuous	360° continuous
Slewing Speed	r.p.m	1.5	1.5
Wire Rope	∅×m	14 × 100	14 × 100
Hook Speed	m/min	15 (4 fall lines)	15 (4 fall lines)
Winch Type		Hyd. Motor driven,spur gear speed reduction with hydraulic brake	Hyd. Motor driven,spur gear speed reduction with hydraulic brake
Single Line Pull	ton	3.0	3.0
Slewing Reduction -Gear Type		Hyd. Motor driven, combined type of planetary gear and worm gear speed reduction with hydraulic brake	Hyd. Motor driven, combined type of planetary gear and worm gear speed reduction with hydraulic brake
Outrigger Span,Main	Ext	m	6.11
	Ret	m	2.29
Truck chassis,Recommended	GVW(ton)	30	30
Optional feature	(1) Rear outriger system (2) Additional winch system of 2.5 ton (3) Additional manual Jib Boom of 4.0 meters or more (4) Personal Basket (5) Top Seat Control (6) Several options if customers request for their comfortable and safe work (7) Hydraulic Pump		

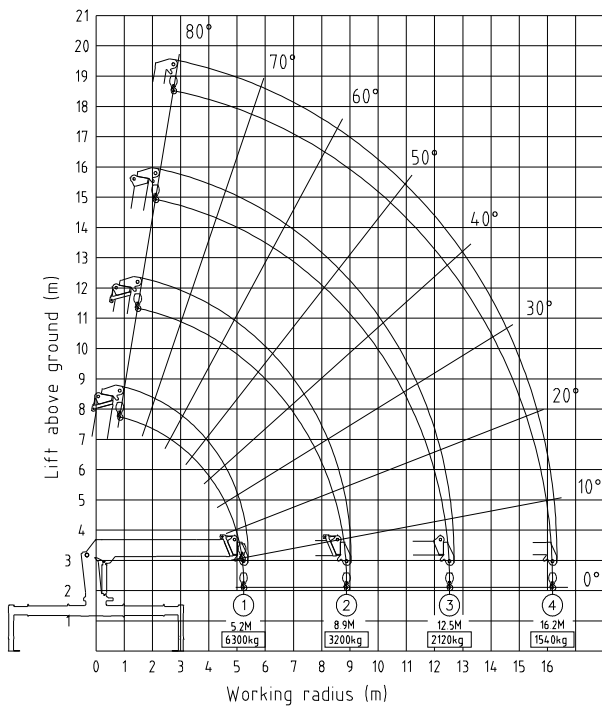
## BK 1404 TYPE RATED LOADS

BOOM RADIUS (m)	2.0	3.0	4.0	5.0	6.0	7.0	8.0	9.0	10.0	11.0	12.0	13.0	15.0	17.0
 ALL BOOMS RETRACTED (kg)	14000	10950	9000	7400	6300 (5.2m)									
 2ND BOOM EXTENDED (kg)	12200	9200	7350	6100	5400	4720	4150	3200 (8.9m)						
 3RD BOOM EXTENDED (kg)			6700	5650	4880	4300	3850	3500	3200	2900	2560	2120 (12.5m)		
 4TH BOOM EXTENDED (kg)			5000	5000	4600	4050	3600	3250	3000	2750	2550	2360	2000	1540 (16.2m)

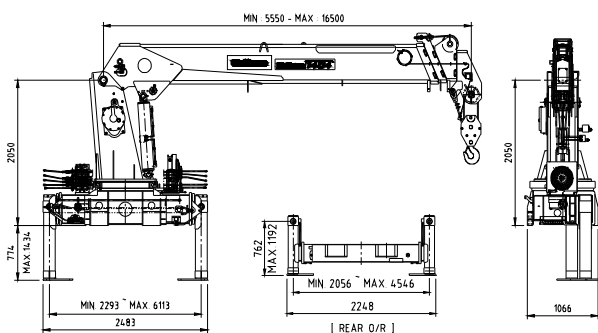
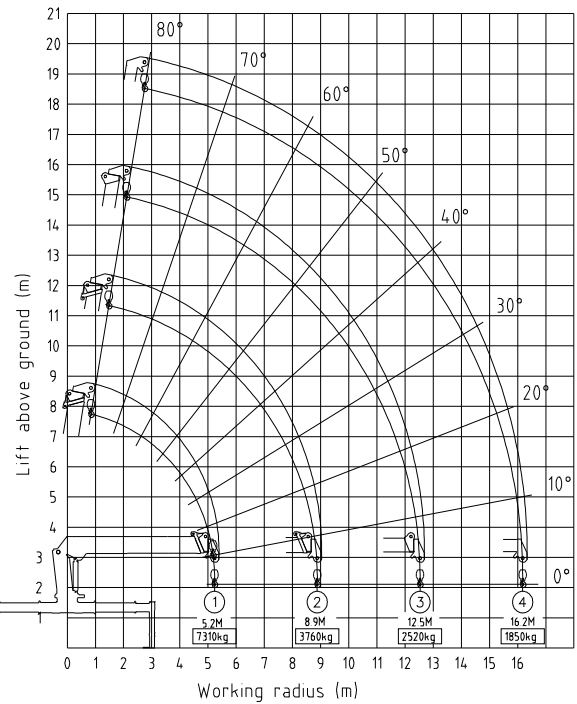
## BK 1604 TYPE RATED LOADS

BOOM RADIUS (m)	2.0	3.0	4.0	5.0	6.0	7.0	8.0	9.0	10.0	11.0	12.0	13.0	15.0	17.0
 ALL BOOMS RETRACTED (kg)	16000	12600	10400	8500	7310 (5.2m)									
 2ND BOOM EXTENDED (kg)	14100	10600	8530	7200	6250	5510	4860	3760 (8.9m)						
 3RD BOOM EXTENDED (kg)			7700	6600	5680	5000	4500	4100	3750	3410	3030	2520 (12.5m)		
 4TH BOOM EXTENDED (kg)			5000	5000	5000	4750	4250	3850	3500	3250	3000	2800	2400	1850 (16.2m)

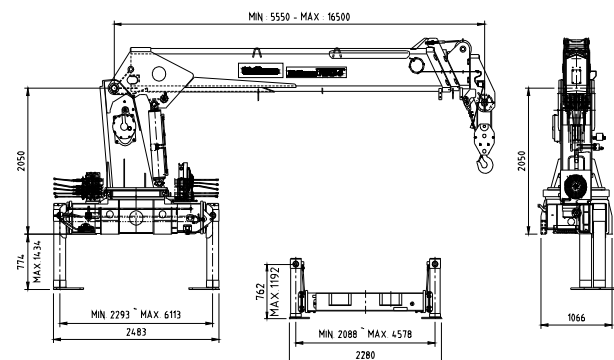
### WORKING RANGE



### WORKING RANGE



BK 1404



BK 1604